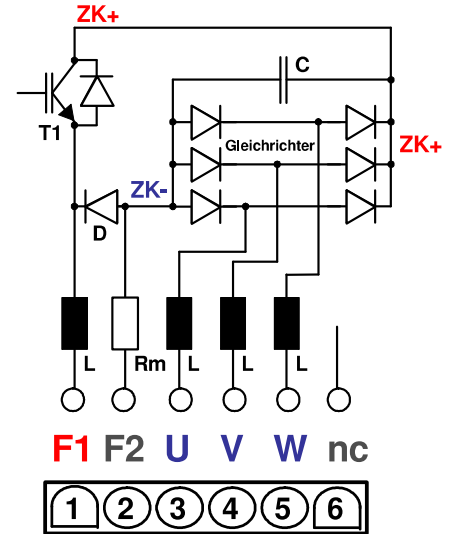


type LCAR <input type="checkbox"/> 3 <input type="checkbox"/> 4	<input type="checkbox"/> BASIC <input type="checkbox"/> STD <input type="checkbox"/> HS <input type="checkbox"/> _____
customer / number:	
ID number (4-counts):	
serial number (6-counts):	
delivery date GTS:	
date of reclamation:	
name of inspector:	
fault description customer:	



1. optical check	<input type="checkbox"/> no abnormality <input type="checkbox"/> abnormalities present: (description)		
	2. anti noise capacitor checking between cover plate and connector F2 with multimeter in mode:		
3. electrical check with multimeter  in mode Diode-Test:   Red contact at the multimeter: V/Ohms (=rt)  Black contact at the Multimeter: COM / GND (=sw)	connection plan (red=rt)	values (OK)	differences
		<input type="checkbox"/> OPEN / > 2,3V	<input type="checkbox"/> value:
		<input type="checkbox"/> OPEN / > 2,3V	<input type="checkbox"/> value:
		<input type="checkbox"/> OPEN / > 2,3V	<input type="checkbox"/> value:
		<input type="checkbox"/> OPEN / > 2,3V	<input type="checkbox"/> value:
		<input type="checkbox"/> 0,4V ± 0,1V	<input type="checkbox"/> value:
		<input type="checkbox"/> 0,5V ± 0,1V	<input type="checkbox"/> value:
		<input type="checkbox"/> 0,5V ± 0,1V	<input type="checkbox"/> value:
		<input type="checkbox"/> 0,5V ± 0,1V	<input type="checkbox"/> value:
		<input type="checkbox"/> OPEN / > 2,3V	<input type="checkbox"/> value:
		<input type="checkbox"/> OPEN / > 2,3V	<input type="checkbox"/> value:
		<input type="checkbox"/> OPEN / > 2,3V	<input type="checkbox"/> value:
4. functional test at test-stand	<input type="checkbox"/> no abnormalities (OK) <input type="checkbox"/> exciter current too high / value: ____, __A <input type="checkbox"/> wrong voltage / value: _____ V (ph1-ph2) <input type="checkbox"/> no voltage / no function (dead)		<input type="checkbox"/> other: (description)
	<input type="checkbox"/> result of long time test: (description)		length: _____ min. Name: _____
5. testing result	<input type="checkbox"/> voltage regulator OK <input type="checkbox"/> further analyses required (see back side)		